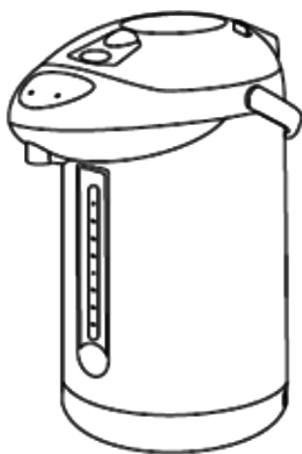


# **ELECTRIC THERMO POT INSTRUCTION MANUAL AN-TMB7025**

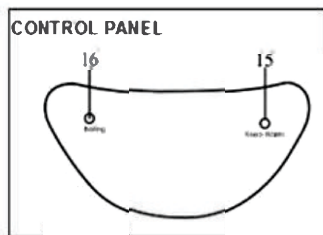
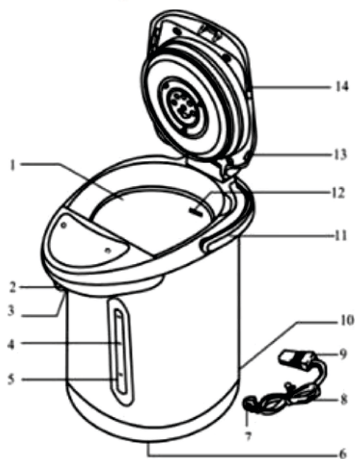


Please read this manual in details before using

## CONTENTS

Title	Page No.
Parts Introduction .....	2
Technical Specifications .....	2
Before Using .....	3
How to Use Thermoflask .....	4
Troubleshooting .....	4
Cleaning and Maintenance .....	5
Important Guidelines .....	5-6

## Parts Introduction



- |                      |                           |
|----------------------|---------------------------|
| 1. Inner Container   | 10. Housing               |
| 2. Spout             | 11. Handle                |
| 3. Cup Switch (N/A)  | 12. Full Water Guide Mark |
| 4. Water Level Gauge | 13. Steam Vent            |
| 5. Refill Mark       | 14. Top Lid               |
| 6. Swivel Base       | 15. Keep Warm Indicator   |
| 7. Power Supply Plug | 16. Boiling Indicator     |
| 8. Power Cord        |                           |
| 9. Appliance Plug    |                           |

## Technical Specifications

Voltage	220 V, 50Hz
Power	750 Watt
Capacity	2.5 L

## **Before Using**

- . Please read these instructions carefully before use and keep them for future reference.
- . Check your local main voltage whether it is the same as stated on the appliance.
- . Before using for the first time, remove any protective films or stickers from the thermoflask.
- . Ensure the power switch is at the off position.
- . Always use thermoflask in a vertical upright position.
- . Thermoflask should be given ample air circulation on all sides. An insulated hot pad is recommended on surfaces where heat may cause problems.
- . A short power cord is provided to minimize the hazards involved with tripping over longer cords.
- . The appliance must be earthed.
- . The wires in this main are colored in accordance with the following code:
  - Green and Yellow: Earth
  - Blue : Neutral
  - Brown : Live
- . If the colors above do not match those terminals identified in your plug, connect as follows:
  - The wire colored green and yellow must be connected to the terminal marked "E" or by the earth symbol or colored green or green and yellow.
  - The wire colored blue must be connected to the terminal marked "N" or colored black.
  - The wire colored brown must be connected to the terminal marked "L" or colored red.

## **Using Thermo Flask For The First Time**

- . Wash and rinse inner tank with water
- . Fill Water up to full water guide mark.
- . Voil once and discard water by pumping out.
- . Do not fill the container directly from the tap as overflowing water could cause a short circuit or electric shock.
- . Do not add water above full-water guide mark on the inside of the container. Hot water may overflow, causing scalds.
- . Be careful not to splash water on the control panel or on the outside of the dispenser. Splashing water can damage the dispenser and cause an electric shock.

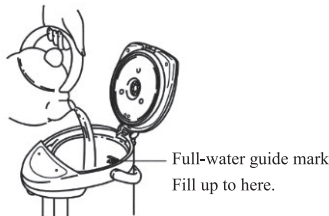


Figure of filling water to full water guide mark

## **How to Use Thermoflask**

### Close The Lid

- . Carefully close the lid by pushing it down until you hear a click sound.
- . You may hear a rattling sound when opening and closing the lid, it is normal.
- . When you plug in the power cord, the water will begin to boil automatically. While the water is boiling, please avoid doing the below stated:
  - Do not open the top lid.
  - Do not touch the steam coming out from the steam vent.
  - Do not place cloth or any other items over the steam vent.
  - Do not dispense hot water while the water is boiling.

### **Auto Cut Off Feature**

- . Whenever there is overheating the auto cut off feature will operate. The auto cut off feature operates in the following cases:
  - When the power cord is plugged in but the container is empty.
  - When the power cord is plugged in and all the hot water has been used or the lid has been removed so that water can be added.
  - If it is auto cut off, unplug the power cord from the electrical outlet, wait for the container to cool down before adding in water.



Figure of dispensing water by manual pumping

### **Troubleshooting**

Condition	Problems	Solutions
. Water does not boil	. Plug is not plugged into electrical outlet.	. Check the plug connections
	. Metal object or dirt is on the tip of the magnetic plug	. Clean the tip of the magnetic plug.
. Water not hot or not pouring properly	. Plug is not plugged into electrical outlet	. Check plug connection
	. Mineral deposits or the similar haze accumulated on the inner container and container filter	. Clean the container and check the container filter
	. Hot water does not pour properly a few minutes after boiling	. Open the top lid once to release air bubbles and then close the lid
. Water pours out by itself	. Check if it is filled beyond the full water guide mark	. Pour out excess water until it is under full water guide mark
. White deposits appear in the hot water	. Deposits are formed by the mineral content of the water you are using.	. Clean the inner container by boiling water mixed with citric acid
. Loud boiling sound can be heard	. Excessive accumulation mineral deposits and similar on the inner pot can cause loud boiling sound	


### **Cleaning and Maintenance**

- . Always unplug the product from the wall socket and let it cool down completely prior to cleaning.
- . Detach top lid and pour out remaining water.
- . If mineral deposits are allowed to accumulate, loud noises may be heard during boiling and you may face difficulties dispensing hot water. Regular cleaning will avoid such problems.
- . Do not use abrasive sponge, scouring pads or stiff brush to clean the appliance.
- . Use only damp cloth to wipe the exterior surfaces of the unit. Do not immerse the main body in water.
- . Do not allow the electrical components to be exposed to water.
- . For proper storage, always place the theroflask in a low humidity environment.

### **Important Guidelines**

- . Use only original accessories supplied.
- . The current voltage which indicates on the plate must correspond to your local voltage.
- . The thermoflask should be operated only on condition that the type of power supply corresponds to the marking label. Otherwise, it will not work or even be damaged.
- . Do not place the thermoflask on unstable surfaces.
- . Never operate unit unless it is fully assembled.
- . Do not fill the thermoflask above the full-water guide mark inside the tank or lower than the refill mark to avoid damaging the appliance.
- . Do not overload outlets or extension cords. It can result in fire or electric shock.
- . Do not operate the appliance if the power supply cord or plug has been damaged.
- . Only fill with fresh water, not milk or anything similar.
- . This thermoflask is intended for indoor and household use only; not for outdoor, commercial and industrial use.
- . Do not immerse the base, cord, plug or appliance in water or other types of liquid and do not pour water onto the control panel to avoid from fire, electric shock or personal injury.
- . To protect against risk of electric shock, do not force any foreign objects such as pins and wires into any openings.
- . Do not pull the cord to remove the plug from wall socket, pull on the plug instead.
- . Do not attempt to insert or remove the plug with wet hands.
- . Do not place the appliance on or near hot gas/electric burner, or a heated oven.
- . Do not let cord hang over the edge of table or counter or touch any hot surfaces.
- . Boiling without any contents in the thermoflask would damage the appliance.
- . Avoid touching outer body of the thermoflask during operation. Always allow unit to cool before handling.
- . Beware of hidden steam under the top lid.
- . Handle power cord and plug carefully, they may malfunction if dropped.
- . It is normal for smoke and smell to emit during first use; it will stop after a short while.
- . Do not fill water exceeding the full water indicator.
- . Do not cover steam vent with cloth or any other material.
- . Always ensure that the top lid is closed properly.

- . Do not dispense water while water is still boiling.
- . Make full use of handle while moving the thermoflask.
- . In the event not using the appliance for a long period of time, please remove the plug from the power outlet.
- . Never let children use electrical equipment without adult supervision.
- . Educate children about the danger and safety rules associated with operating electrical equipment.
- . Do not operate any appliance with a damaged cord or plug, or after the appliance malfunctions or has been damaged in any manner. Repairs and services should always be carried out by the Customer Care/Service Centre.

	<p>This marking indicates that this product should not be disposed with other household wastes throughout the nation. To prevent possible harm to the environment or human health from uncontrolled waste disposal, recycle it responsibly to promote the sustainable reuse of material resources. To return your used device, please use the return and collection systems or contact the retailer where product was purchased. They can take this product for environmental safe recycling.</p>
---	---

## HOW TO USE FILL WATER

1. Open the pot's lid by pushing the lid Lock. Wash the Pot with lukewarm water prior to using your Automatic Air pot for the first time.



2. Use Kettle or Pitcher in filling in water up to the full level mark of the pot. Do not fill water directly from tap water faucet. Over filling will prevent water from boiling and may damage packing while heating water below Refill Mark. It may also damage the pot after a short period of time.



3. Replace the pot's lid and press down to lock.



## BOIL WATER

1. Attach the Socket Plug to the Pot's Socket and plug in to any 220V AC outlet. The boil indicator will automatically light on.



2. Upon reaching the boiling point, the BOIL indicator will automatically switch OFF and the KEEP WARM indicator Will light ON. First use or after a long period of disuse, discard the first boil to clean.



Figure of dispensing water by manual pumping