

**ACONATIC**

**INSTRUCTION MANUAL**  
Ice Maker

Model : AN-ICM2201



Please read all instructions and keep this for future reference.

**Important Safety Instructions: read carefully and keep for future reference.**

Thank you for purchasing our product. We hope you enjoy using the appliance.

Make sure you have read and understand this manual before using the appliance and follow all instructions.

**BASIC INTRODUCTION**

Ice maker is a professional product used to make ice cubes. With a luxurious appearance, antiseptic internal material, it is suitable for long-term use. Automatic ice-making system works in high speed and always produces ice cubes in standard shape. Two different modes for ice cubes could be selected according to your preferred setting.

In order to keep the ice maker working efficiently and smoothly, please always follow our instructions.

**PRODUCT FEATURES**

1. Adopting compressor refrigerating technology, the ice maker produces cubes efficiently.
2. This appliance is intended to be used in household and similar applications such as:  
Staff kitchen areas in shops, offices and other working environments;  
Farm houses;  
By clients in hotels, motels and other residential type environments.
3. The ice making process can be viewed through the transparent window.
4. Push-button operation, LED indicator-lights indicate the various statuses.
5. Warning for "Low-water" and for "Full ice cube bucket". Just simply remove ice to continue process.

**SAFETY INSTRUCTIONS**

Before use make sure to read all of the below instructions in order to avoid injury or damage, and to get the best results from the appliance. Make sure to keep this manual in a safe place. If you give or transfer this appliance to someone else make sure to also include this manual.

In case of damage caused by user failing to follow the instructions in this manual the warranty will be void. The manufacturer/importer accepts no liability for damages caused by failure to follow the manual, a negligent use or use not in accordance with the requirements of this manual.

1. This appliance can be used by children aged from 8 years and above and persons with reduced physical, sensory or mental capabilities or lack of experience and knowledge if they have been given supervision or instruction concerning use of the appliance in a safe way and understand the hazards involved.
2. Children shall not play with the appliance.
3. Cleaning and user maintenance shall not be made by children without supervision.
4. If the supply cord is damaged, it must be replaced by the manufacturer, its service agent or similarly qualified persons in order to avoid a hazard.
5. **WARNING:** fill with potable water only.
6. Always disconnect the appliance from the supply if it is left unattended and before assembling, disassembling or cleaning.
7. This appliance is intended to be used in household and similar applications such as: staff kitchen areas in shops, offices and other working environments; farm houses and by clients in hotels, motels and other residential type environments; bed and breakfast type environments; catering and similar non-retail applications.
8. Before inserting the plug into the mains socket, please check that the voltage and frequency comply with the specifications on the rating label.
9. Disconnect the mains plug from the socket when the appliance is not in use and before cleaning.
10. Ensure that the mains cable is not hung over sharp edges and keep it away from hot objects and open flames.
11. Do not immerse the appliance or the mains plug in water or other liquids. There is danger to life due to electric shock!
12. To remove the plug from the plug socket, pull the plug. Do not pull the power cord.
13. Do not touch the appliance if it falls into water. Remove the plug from its socket, turn off the appliance and send it to an authorized service center for repair.
14. Do not plug or unplug the appliance from the electrical outlet with a wet hand.
15. Never attempt to open the housing of the appliance, or to repair the appliance yourself. This could cause electric shock.
16. Never leave the appliance unattended during use.
17. This appliance is not designed for commercial use.
18. Do not use the appliance for other than intended use.
19. Do not wind the cord around the appliance and do not bend it.
20. Do not use this appliance in the immediate surroundings of a bath, a shower or a swimming pool.
21. This ice maker is specially used to make ice cubes, do not use the appliance to refrigerate other food or beverages, or it will damage the system.
22. Do not store or use gasoline and other flammable substances near the ice maker. Do not use ice

- maker if has leakage of flammable gas, to avoid cause a fire.
- 23. Do not move the appliance while it is switched on, to avoid damaging the cooling system.
  - 24. Do not overfill water as this may cause a hazard. Do not fill above the MAX or below MIN mark.
  - 25. Keep the appliance in a well-ventilated place. Leave at least 20cm free space near the air inlet and outlet.
  - 26. Do not use mechanical devices or other means to accelerate the defrosting process, other than those recommended by the manufacturer.
  - 27. Do not damage the refrigerant circuit.



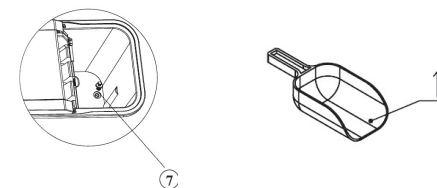
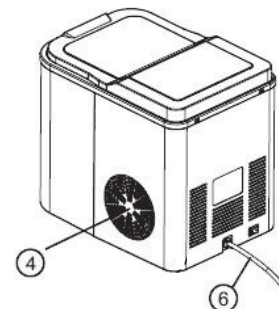
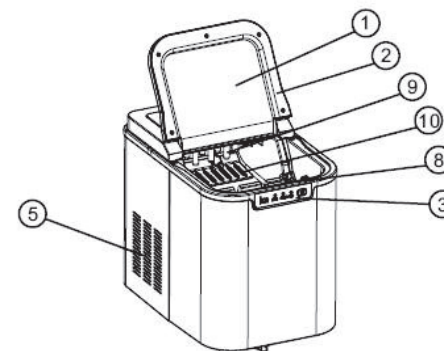
28. CAUTION: Risk of fire!



- 29. WARNING: Do not touch the evaporator while the unit is making ice. It may burn your skin!
- 30. Regarding the instructions for operation, cleaning and disposal of the appliance, please refer to the below paragraph of the manual.

**PARTS DESCRIPTION**

- 1. Transparent window
- 2. Lid
- 3. Operation panel
- 4. Air outlet
- 5. Air inlet
- 6. Power cord
- 7. Water outlet
- 8. Ice cube bucket
- 9. Evaporator
- 10. Ice making box
- 11. Ice scoop



**BEFORE USE**

- 1. Remove all the packaging; take out the ice scoop and backup silicon plug.
- 2. Place the appliance on a stable and flat surface. Keep the appliance away from heat sources and direct sunlight; keep it in a well-ventilated place and leave at least 20cm space near the air inlet and outlet.
- 3. Clean the appliance and its components(See “CLEANING AND MAINTENANCE”).

**Caution!** Do not use outdoors. Do not use the appliance in a too cold or too hot environment. When the environment temperature is lower than 5 °C or higher than 43 °C, the appliance will have problems in making ice.

## HOW TO USE

**Do not use the appliance within 30 minutes after transportation. Switching on the power too early might cause damage to your Ice Cube Maker.**

1. Take out the ice cube bucket. Pour water (only water conformed to drinking standard) into the water tank.

**Warning:** when use distilled water or purified water possibly cause irregular water shortage alarm; just add a little salt into the water reservoir to eliminate it.

Pay attention that the water line should never stay beneath the “H-MIN” mark nor exceed the “H-MAX” mark.

Place back the ice cube bucket when water has been poured.

## OPERATION PANEL



Introduction of buttons and functions:

- (1) ON/OFF/Stand-by button
- (2) **ICE FULL** indicator light
- (3) **ADD WATER** indicator light
- (4) **S / L** indicator light
- (5) **WORK** indicator light

Fit the plug into the wall socket, the **WORK** indicator light will flash and emit a short beeping sound, and now the appliance is ready for use.

Pressing the button **S/L** to select the ice cube size, **S** for small ice cube, **L** for large ice cube. The default size is large size.

-To switch on the appliance, press the **ON/OFF/Stand-by** button , the **WORK** indicator light will keep bright.

The appliance starts making ice cubes.

-Within 15 minutes, the appliance is at the correct temperature and the first ice cubes are ready. As long as the appliance is switched on, it will continue to produce 9 ice cubes every 8-10 minutes.

-Regarding look through the transparent window (1) to check whether the ice-cube making process is running smoothly.

-If the ice cube bucket is completely full with ice cubes the **ICE FULL** indicator light will be on and emit a short beeping sound.

Take the ice cube bucket out of the appliance, store the ice cubes in a cool place and put the bucket back into the appliance. The ice cubes makers can be switched on again straight away to prepare a new batch of ice cubes.

- In the absence of water, the **ADD WATER** indicator light will be on and emit a short beeping sound. Fill the

reservoir with water and press the button to continue the process.

-If the ice cubes are left in the appliance they will gradually melt, the melted water will collect in the water reservoir and then the ice cubes maker will start to produce a new batch of ice cubes. The machine can be

stopped at any time by pushing the button . When the ice cube maker is not being used for an extended period of time, empty the water out of the reservoir and unplug the appliance from the electric wall socket.

-To interrupt the process, press the **ON/OFF/Stand-by** button .

-Remove the mains plug from the wall socket. The display goes off.

-Allow the appliance to cool down completely.

## SELF-CLEANING MODE

The self-cleaning mode should be put into operation before you use your ice maker for the first time and/or if there has been a long period without use.

Stage 1:

1) Add equal amount of water and vinegar (1:1) into water reservoir.

2) In the state of stand-by mode, keep pressing **ON/OFF** button at least 5 seconds to activate self-cleaning mode. Please note self-cleaning mode will automatically start after “Beep” sound.

**WORK**, **ICE FULL**, **ADD WATER** indicator lights will be on at the same time when the ice maker is in self-cleaning mode.

3) During the self-cleaning mode, pump will draw water to the ice making box and evaporator coils, then ice making box rotates and pours the water into water reservoir. This cycle will repeat for 5 times.

4) Upon completion, the unit automatically changes to stand-by mode.

Stage 2:

1) Remove the drain cap and plug, then drain off the water, insert the plug and screw drain cap.

2) Add fresh water to the maximum permit water volume line.

3) In the state of stand-by mode, keep pressing **ON/OFF** button at least 5 seconds to activate self-cleaning mode again with the purpose of clean-out.

4) Upon completion of this final stage of the self-cleaning process, the unit automatically changes to stand-by mode. Proceed to drain the water from the internal reservoir by removing the drain cap and plug. Leave the upper lid open to allow it to air dry.

Please note that if there is a water shortage during self-cleaning mode, the unit will automatically go into stand-by mode; if ice making box fails to turn over, **ICE FULL** and **ADD WATER** indicator lights will be on at the same time, you need to keep pressing **ON /OFF** button for more than 5 seconds to release self-cleaning mode to change for other operations.

## CLEANING AND MAINTENANCE

### Warning:

-Before cleaning or maintenance, switch off the appliance, remove the mains plug from the wall socket and wait until the appliance has cooled down.


Do not leave water in the appliance for a long period to prevent the water from being contaminated. Use the valve on the water outlet to remove the excess water.



**Caution:**

1. Do not use aggressive or abrasive cleaning agents to clean the appliance.
2. Clean the outside of the appliance with a soft, damp cloth. Thoroughly dry the outside of the appliance with a clean, dry cloth.
3. Clean the inside of the appliance with a soft, damp cloth. Thoroughly dry the inside of the appliance with a clean, dry cloth.
4. Clean the ice cube scoop in soapy water or in the dishwasher. Rinse the ice cube scoop under running water. Thoroughly dry the ice cube scoop with a clean, dry cloth.
5. If the ice machine will be off use for a long time, you should unplug the appliance, drain off the water and dry the appliance with a clean cloth, store the ice maker in a clean place.
6. Regularly check the appliance for possible damage.

**TROUBLESHOOTING**

PROBLEM	POSSIBLE CAUSE	SOLUTION
WORK indicator light does not illuminate	Power source is not switched on.	<ol style="list-style-type: none"> <li>1. Check if the power supply is appropriate.</li> <li>2. Check if the power cord is connected properly to unit and power supply.</li> <li>3. Internal components may be damaged. Maintenance Required- seek professional help.</li> </ol>
ICE FULL indicator light is lit	<ol style="list-style-type: none"> <li>1. Ice bucket full.</li> <li>2. Low-temperature protection (ambient temperature is lower than 5°C).</li> </ol>	<ol style="list-style-type: none"> <li>1. Automatic recovery after removal of ice cubes.</li> <li>2. Move the ice maker to a warmer place where the ambient temperature above 5°C</li> </ol>
ADD WATER indicator light is lit	Absence of water.	<ol style="list-style-type: none"> <li>1. Fill the drinkable water into ice maker and press button  to eliminate the failure.</li> <li>2. Water supply system or components may be damaged. Maintenance by a professional is required.</li> </ol>
ICE FULL and ADD WATER indicator lights are both on	Ice making box is in an incorrect position.	<ol style="list-style-type: none"> <li>1. Check whether any foreign objects is stuck in the ice making box</li> <li>2. Internal components may be damaged. Maintenance by a professional is required.</li> </ol>
Not making ice or not performing well	<ol style="list-style-type: none"> <li>1. Heat output is blocked.</li> <li>2. Water temperature is too high.</li> <li>3. The ambient temperature is too high.</li> <li>4. Leakage of refrigerant.</li> </ol>	<ol style="list-style-type: none"> <li>1. Clean the dust of air inlet and outlet.</li> <li>2. Fill with room temperature water.</li> <li>3. Move the ice maker to a cool place.</li> <li>4. Refrigerating system may be damaged. Maintenance by a professional is required.</li> </ol>
Abnormal noise	Fan or pump is obstructed.	<ol style="list-style-type: none"> <li>1. Set up the appliance in proper location.</li> <li>2. Maintenance by a professional is required.</li> </ol>

**TECHNICAL DATA**

Model	
Rated Voltage	220-240 V ~
Rated Frequency	50/60Hz
Rated Current	0.9A
Protective Class	I
Refrigerant	R600a

**ENVIRONMENT FRIENDLY DISPOSAL**

This marking indicates that this product should not be disposed with other household wastes. To prevent possible harm to the environment or human health from uncontrolled waste disposal, recycle it responsibly to promote the sustainable reuse of material resources. To return your used device, please use the return and collection systems or contact the retailer where the product was purchased. They can take this product for environmental safe recycling.