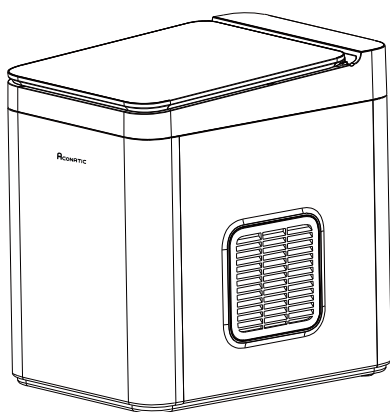


User manual

PORTABLE AUTOMATIC ICE MAKER

Model AN-ICM1501



INSTRUCTION MANUAL

It is important that you read these instructions before using your portable ice maker and we strongly recommend that you keep them in a safe place for future reference.

TABLE OF CONTENTS

IMPORTANT SAFETY TIPS.....	2
A PRELIMINARY UNDERSTANDING OF YOUR ICE MAKER	4
OPERATING PROCEDURES & MAINTENANCE	6
USING YOUR ICE MAKER.....	7
TROUBLESHOOTING	9
TECHNICAL PARAMETERS & CIRCUIT DIAGRAM.....	10

IMPORTANT SAFETY TIPS

Your personal safety and safety of others are the most important.

We have prepared many safety tips related to this machine for you.

Be sure to read and follow these tips.



This is a security warning sign

All security alerts follow the words "danger" and "warning".

If you do not comply with these safety tips, you may be seriously injured.

All safety tips describe potential hazards, tell you how to reduce the chances of injury and what will happen if you do not follow the safety tips.



DANGER



Warning

if the ice maker is using or making ice, please do not touch the evaporator, which may freeze your skin.



evaporator

Before using electrical appliances, basic safety rules must be observed to reduce fire, electric shock and damage to people or material, Please read the safety tips carefully before using this appliance.

- When the power cord is damaged, do not use and operate the machine.
- use the correct power outlet and ensure that the power plug is completely inserted into the socket.
- Please do not put the power line on the carpet or heat insulation, do not cover the power line, the power line should leave the walking channel, and do not immerse into the water.
- it is not recommended to use the power extension cord. This may result in overheating or fire. If you must use it, use at least 1.5 square extension line.
- Please cut off the power supply before cleaning or repairing.

- When children are nearby, they must be supervised.
- Please do not use flammable liquids to clean the ice maker, This may cause fire or explosion.
- Please do not overturn the ice maker, If there is any overturn, the machine will be placed for 2 hours before starting.

in winter, if the ice maker is moved indoors from outside, wait for a few hours before power up, so that the temperature of the ice maker rises to the same temperature as that of the room.

Warning: keep ventilation free around the appliance. Do not use it in the embedded structure.

Warning: in addition to the manufacturer's recommended method, no mechanical or other means should be used to accelerate the defrosting process.

Warning: no damage to the refrigeration circuit.

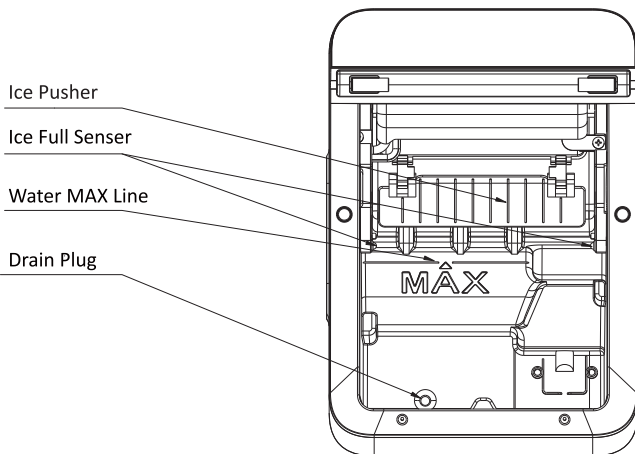
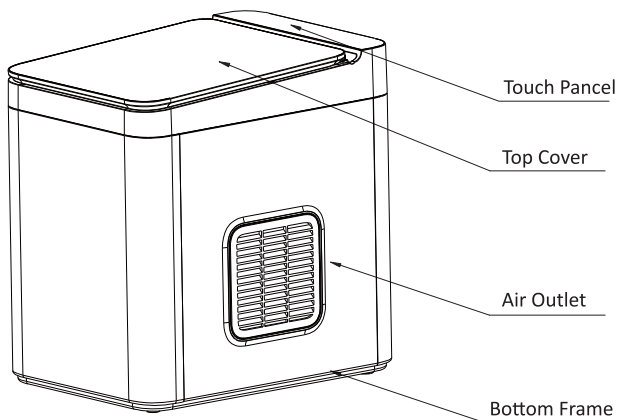
Warning: please do not use other liquids to make ice except drinking water.

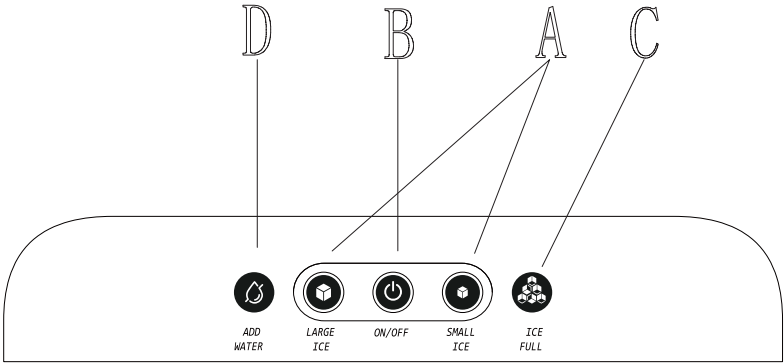
Warning: in addition to the type recommended by the manufacturer, it is not allowed to use electrical appliances in the food storage room of the appliance.

Explosives should not be stored in utensils, such as combustion supporting sprays.

This appliance is used for household and small milk tea shops.

A PRELIMINARY UNDERSTANDING OF YOUR ICE MAKER





Touch Control Panel

- A. SMALL ICE/LARGE ICE : When the room temperature is below 15 degree, please choose "SMALL ICE".
- B. ON/OFF: Select "ON/OFF" , the machine starts running.
- C. ICE FULL: When the ice basket is filled with ice, the red indicator light flashes.The machine stops working.
- D. ADD WATER: The red indicator light flashes when there is a shortage of water. Please manually add water and click "ON/OFF" to start the machine.
- E. Self cleaning function: Press the "ON/OFF" button for 5 seconds in standby mode until the "SMALL ICE" and "LARGE ICE" indicator lights flash. Self cleaning mode will run for 30 minutes. Please press the "ON/OFF" button for 1 second to stop the self-cleaning mode.

Suggestion: Use drinking water for better tasting ice .

OPERATING PROCEDURES & MAINTENANCE

Open the package

1. Remove all internal and external packaging. Check for ice baskets and spoons. If any accessories are missing, please contact customer service department.
2. Remove the ice basket and scrub it in warm water, then clean the water container with warm water and a soft cloth.
3. Clean the evaporator column with water or alcohol.
4. Place the ice maker away from direct sunlight and away from heat sources and radiation. Place the ice maker horizontally and ensure that there is at least 30cm of clearance on both sides and rear.
5. Please remove the foam bottom bracket before powering on.
6. There is a suitable socket in the location where the ice maker is placed to be powered on.



DANGER

Connecting power of ice maker

Incorrect use of grounding wires may pose a risk of electric shock. If the power cord is damaged, please contact the after-sales service department.

1. For your safety, the ice maker must be reliably grounded.
2. This machine requires a standard 220-240V~50/60Hz grounded power supply.
3. If the power cord is damaged, it must be replaced by the manufacturer, its maintenance department, or similar professionals to avoid danger.
4. Keep away from ignition sources, sparks, and high-temperature objects.
5. Do not use in flammable and explosive environments where gas is installed to avoid accidents.
6. When moving the machine, pay attention to the tilt of the body not exceeding 45°. Do not invert or lay horizontally, do not pull the power cord, and leave it for at least 2-3 hours after transportation before use.

7. The insulation material of the ice maker uses flammable materials. When discarded, appropriate methods should be used to dispose of it, such as sending it to a recycling company with resources for disposal, and incineration is not allowed.

Ice maker cleaning

Before using this ice maker, it is strongly recommended that you thoroughly clean the entire machine.

1. Remove the ice basket.
2. Open the drain plug and drain the water from the water tank.
3. Wipe the inner liner with diluted cleaning agent, warm water, and a soft cloth.
4. The exterior of the machine should be regularly wiped with diluted cleaning agent and warm water.
5. Use another soft cloth to dry the inner liner.
6. Close the drain plug.

When the machine is not in use for a long time, it should be drained of water and wiped dry.

USING YOUR ICE MAKER

1. Open the top cover, take out the ice basket, add water to the water tank, keep the water level below the maximum water level mark, and then put it back into the ice basket. Close the top cover, and it is recommended that the water level not exceed the bottom of the ice basket.
2. Press the "Power" button on the control panel to start ice making.
3. If the room temperature is below 15 ° C, it is recommended that you choose small ice to prevent iceing.
4. The duration of each ice making cycle is 6 to 13 minutes, depending on the size of the selected ice block and the room temperature. The size of the ice block is also related to the water temperature and ambient temperature.
5. After the ice maker starts, it is necessary to regularly check the water level in the water tank. If the water pump cannot produce water, the ice maker will automatically stop, and the "water shortage" indicator light will light up to indicate water shortage.

At this time, it is necessary to add water to the water tank, and then press the "ON/OFF" button to restart ice making.

6. If the ice in the ice basket is full, the ice making will automatically stop, and the "ICE FULL" light will be on: When the ice position is lower than the infrared detection position, the machine will restart, and excessive light may affect the ice full function.

7. It is recommended to change the water every 24 hours to maintain its cleanliness. If the ice maker is not used for a long time, please empty the remaining water in the water tank.

8. In standby mode, press "ON/OFF" for 5 seconds until the "SMALL ICE" and "LARGE ICE" lights flash in sequence, and the "Automatic Cleaning" function starts and lasts for 30 minutes. If you want to stop, please press the "ON/OFF" button for 1 second.

9. In the power-on state, long press the "SMALL ICE" button for 5 seconds, the UV light will light up, and enter the "sterilization mode" function. After a duration of 30 minutes, it will automatically stop. If it needs to be turned off during this period, short press the selection button.

(Kind reminder: Due to the inconsistent functions of the machine, the functions described in Article 9 are only applicable to models with "UV sterilization" function.

Suggestion: please use direct-drinking water to make ice.

TROUBLESHOOTING

PROBLEM	POSSINLE CAUSE	SOLUTION
The " Add Water " indicator lights up	<ol style="list-style-type: none"> 1.Lack of water 2.Filter screen plug at the bottom of the water tank 3.The induction needle is not in the middle of the hole 	<ol style="list-style-type: none"> 1. Stop making ice, add water, press " ON/ OFF " Key restarts ice making 2. Cleaning 3. Adjust the position of the induction needle
"ICE FULL" indicator is on.	<ol style="list-style-type: none"> 1. There is too much ice in the ice basket. 2. The ice full sensor is bad, no ice water is full of light. 3.Water infiltrates into the induction lamp 	<ol style="list-style-type: none"> 1. Remove the ice from the ice basket. 2. Contact the manufacturer to change the sensor.
Ice full light flicker	The ice shovel was stuck	If the ice is stuck in the ice shovel, take the ice. Otherwise, please consult the after-sales service staff.
The ice is linked together	The ice making cycle is too long	Stop the ice maker, and restart it when the ice blocks melt. Select the small size ice cube selection.
	Water temperature in inner tank is too low	Replace the water in the water gallbladder, the water temperature is best between 8 C and 32 C
Ice making cycle is normal but no ice formed.	Exorbitant ambient temperature or water temperature	Please make ice when the ambient temperature is below 32 C and give a certain amount of cold water to the water gallbladder
	Leakage of refrigeration system	Contact after service personnel
	Clogging of the refrigeration system	Contact after service personnel

In case of any abnormal grounding system outside of the appliance, the ice maker should be immediately stopped from use. And unplug its power plug or disconnect all connections to the power supply circuit, and contact the maintenance personnel of the manufacturer for handling. Attention: If the faults listed above are caused by the ice maker itself, professional personnel should be consulted for repair. If the fault cannot be eliminated, please contact the after-sales service department and do not disassemble it randomly.

TECHNICAL PARAMETERS & CIRCUIT DIAGRAM

Model	AN-ICM1501
Climate Type	SN/N/ST
Safety Grade	I
Voltage	220-240V~50/60Hz
Rated Current	0.85A
Refrigerant	R600a/26g
Net Weight	8.2kg
Hell Material	Plastic
Size	315x232x337mm

Electrical diagram

